



Total Food-Service Solutions

Modular Cooking – Meritus 750

Gas Pasta Cooker

NGPC 4-75 MR



*Due to routine technical improvement, the photograph shown may not represent the latest design of the products.

AVAILABLE MODEL

1. NGPC 4-75 MR

DESCRIPTION

Gas Pasta Cooker with 10.5 kW power rate. Unit to be installed on cabinet or similar elements, cantilever, or solid block solutions. Featuring removable clip joint to connect Meritus family product.

ITEM# : _____

MODEL# : _____

NAME : _____

SN : _____

MAIN FEATURE

- Basin made of SS 316.
- Unit to be installed free standing, can be joined with base cabinet, table stand or cantilever system.
- Service maintenance can be done from the front panel.
- Water knob and faucet to refill water in the basin included.

CONSTRUCTION

- All exterior panels in 304 type of Stainless Steel
- Orbital top panel anti-scratch finishing.
- Top and side are mounted by 1.5mm of Stainless Steel.
- Adjustable ± 25 mm Stainless Steel leg.
- Certified IPX4 protection.

INCLUDED ACCESSORIES

- Extra Nozzle (Main Burner & Pilot Burner).
- Basket Holder.

OPTIONAL ACCESSORIES

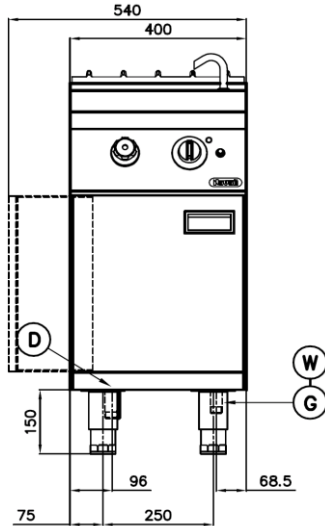
- Clip plate for joining
- Pasta Basket

The company reserves the right to make modifications to the products without prior notice. All information correct at time of printing.

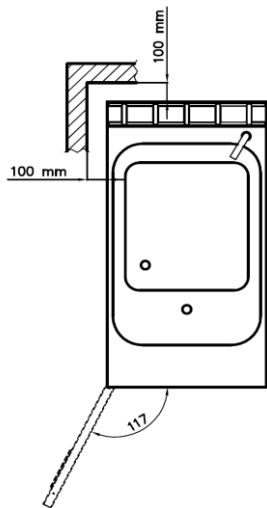
2018.06.23



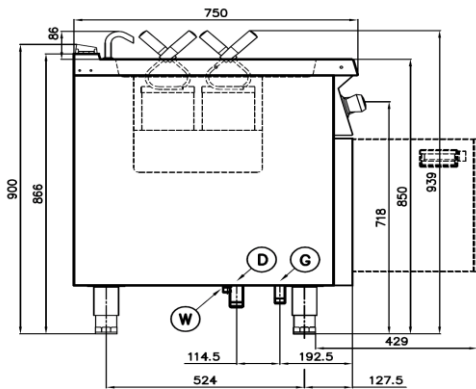
FRONT



TOP



SIDE



- (G)** Gas Connection R 3/4"
- (W)** Water Connection R 1/2"
- (D)** Drainage R 1"

* Overall Dimension in mm

GAS

Gas Power	:	10.5 kW (9,030 kCal/h)
Gas Type Option	:	G30/G31, G20
Gas Inlet	:	R 3/4"
Natural Gas-Pressure	:	G20: 20 mbar
LPG Gas Pressure	:	28-30 mbar/ 37 mbar

KEY INFORMATION

Cooking Surface (WxD)	:	308x336 mm
Direct Heat Emission	:	1.05 kW
Latent Heat Emission	:	3.15 kW
Steam Emission	:	4.63 kg/h
Basin Capacity	:	25 Liters
Min. Working Temperature	:	
Max. Working Temperature	:	110° C
Water Connection	:	1/2"
Drain	:	1"
Net Weight	:	54 kg
Shipping Height	:	1000 mm
Shipping Width	:	460 mm
Shipping Depth	:	840 mm
Shipping Volume	:	0.386 m ³